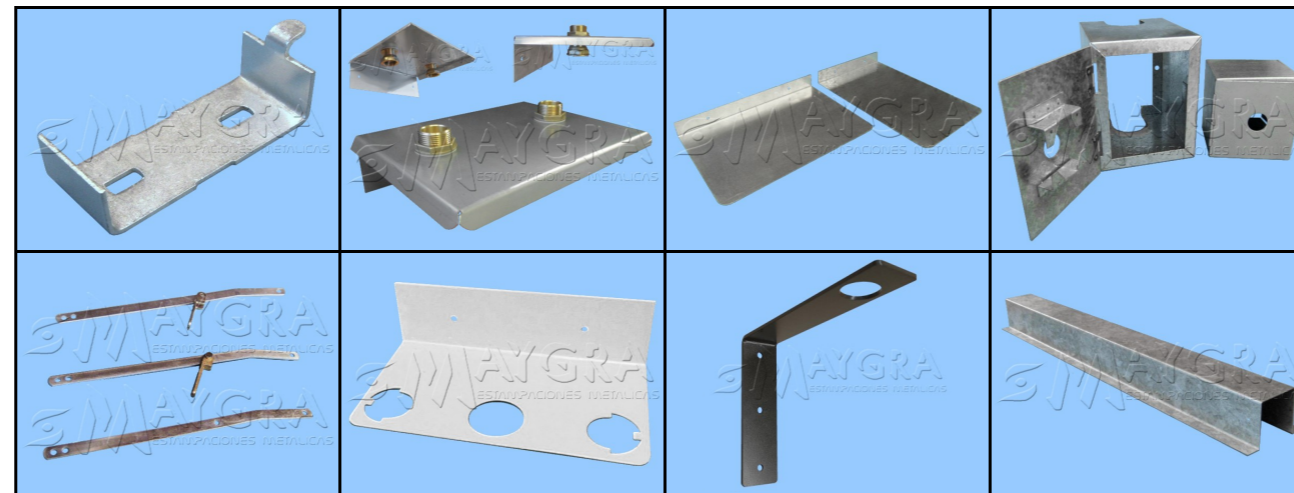




CATALOGUE GAS AND HEATING ACCESSORIES

COLD METAL STAMPING AND DEEP DRAWING
MOULD AND DIE CONSTRUCTION
CNC PUNCHING, BENDING AND LASER CUTTING



MATRICES Y GRABADOS, S.L.

Polígono Industrial Sepes - C/ Ganadería, parcela 35

Tel. +34 974 591 579

Mob. +34 636 268 349

Fax +34 974 225 626

22006 HUESCA (SPAIN)

www.maygra.com

comercial@maygra.com



www.maygra.com



RoHS

comercial@maygra.com

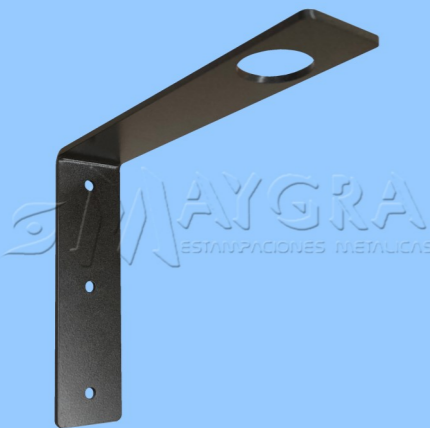
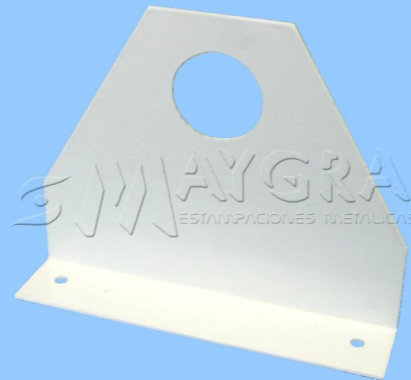
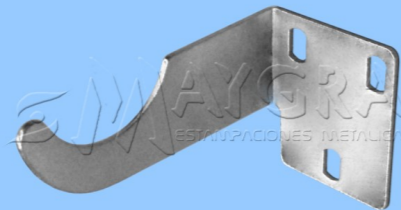
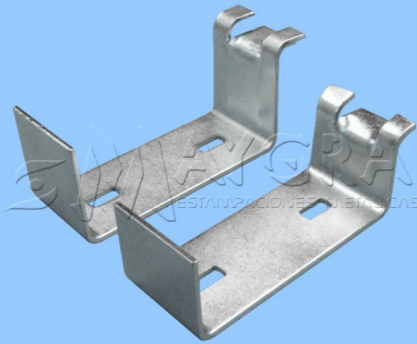
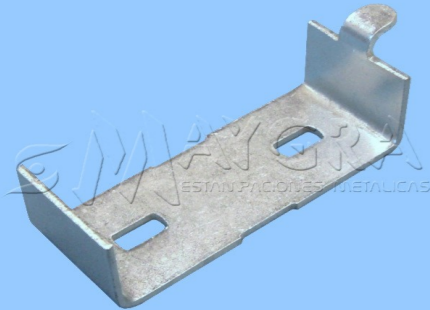
HEATING	3
RADIATOR SUPPORT BRACKET - ONE FINGER	3
BRACKET FOR RAYCO RADIATOR	3
BRACKET FOR SPECIAL RAYCO RADIATOR 3 & 4 cm HIGH	3
SUPPORT FOR "ETAL & CONFORT" RADIATOR	4
SUPPORT FOR RADIATOR	4
SUPPORT FOR EXPANSION TANK 2	4
SUPPORT FOR EXPANSION TANK 3	4
GAS	5
SUPPORT FOR G-4 GAS METER – 160 mm	6
SIDE SUPPORT FOR G-4 GAS METER – 160 mm	6
SUPPORT FOR G-4 GAS METER IN A CABINET – 160 mm	6
SUPPORT FOR G-4 GAS METER STAINLESS STEEL – 160 mm	6
EXTENSION FOR G-4 GAS METER SUPPORT STAINLESS STEEL	7
SUPPORT FOR G-4 GAS METER STAINLESS STEEL – 110 mm	7
SUPPORT FOR G-4 GAS METER – 110 mm	7
SIDE SUPPORT FOR G-4 GAS METER – 110 mm	7
SUPPORT FOR REPSOL G-4 GAS METER	8
SUPPORT FOR G-6 GAS METER	8
SIDE SUPPORT FOR G-6 GAS METER	8
SUPPORT FOR G-6 GAS METER IN A CABINET	8
SIGNAL PLATE FOR GAS METER	9
CANOPY FOR G-4 GAS METER & SUPPORT	9

C O N T E N T S

GAS	
SEPARATOR PLATES FOR GAS METER	9
COVERS FOR GAS METER	9
OMEGAS TO PROTECT PIPES (0,8 mm thickness)	10
OMEGAS TO PROTECT PIPES (1,5 mm thickness)	10
GAS CABINETS	11
BASES FOR PIPES	11
SUPPORT FOR "VISSMANN" BOILER	12
BASE FOR "VISSMANN" BOILER (COVERING FOR "VISSMANN" TAPS)	12
SUPPORT FOR "FONDITAL" BOILER	12
BASE FOR "FONDITAL" BOILER (COVERING FOR "FONDITAL" BOILER TAPS)	12
SANITATION	13
GRATING FOR URINAL	13
LEVERS FOR TOILET TANK: 3 & 4 MILLIMETERS	13
SUPPORTS FOR SINK	14
SUPPORTS FOR "HENARES" WASH BASIN	14
ELECTRIC CABINETS	14
METALLIC ELEVATOR BRIDGE SUPPORT	14
GENERAL TERMS OF SALE	15

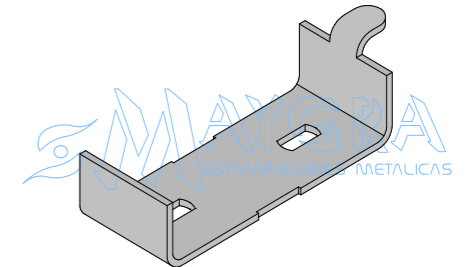
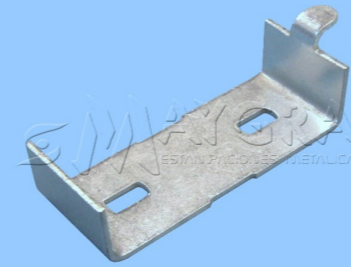
→ IN THE CATALOGUE, ALL DIMENSIONS ARE GIVEN IN MILLIMETERS ←

HEATING



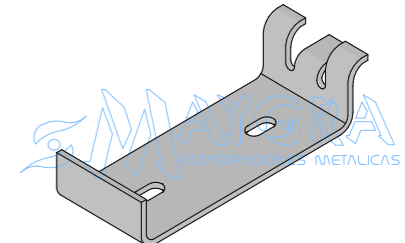
HEATING

RADIATOR SUPPORT BRACKET - ONE FINGER



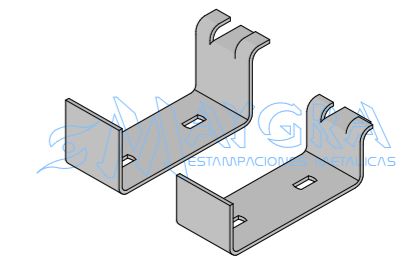
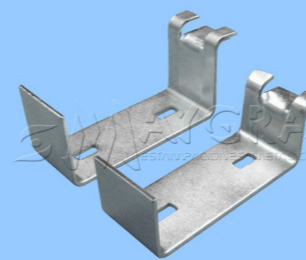
CODE	MATERIAL	FINISH	PACKAGING
SRUUZ	STEEL	ROHS ZINC-PLATING	250 pieces
SRUUG	GALVANIZED SHEET	—	250 pieces

BRACKET FOR RAYCO RADIATOR



CODE	MATERIAL	FINISH	PACKAGING
SRRZ	STEEL	ROHS ZINC-PLATING	250 pieces
SRRG	GALVANIZED SHEET	—	250 pieces

BRACKET FOR SPECIAL RAYCO RADIATOR 3 & 4 cm HIGH

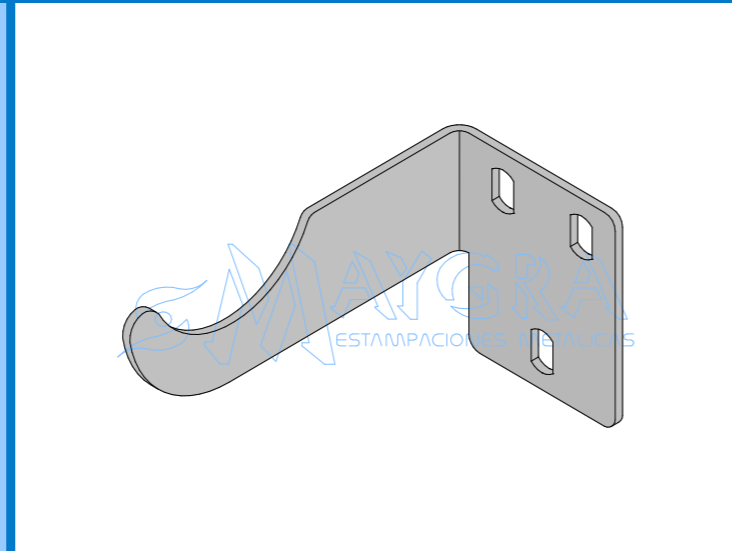
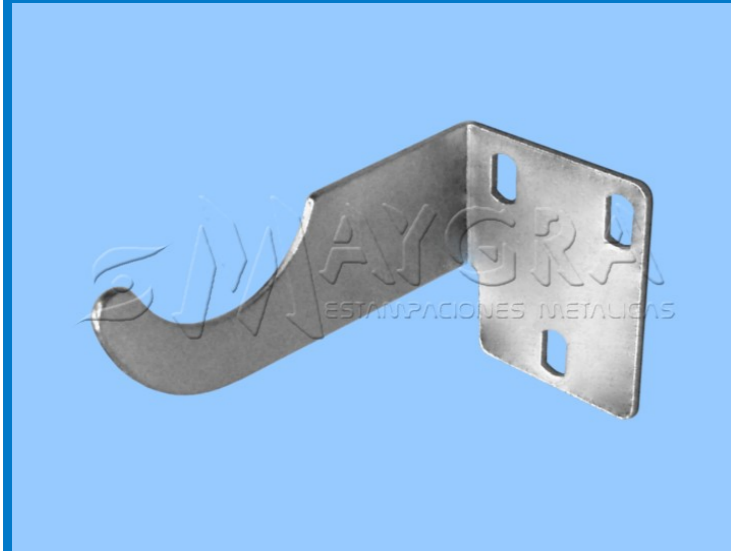


CODE	MATERIAL	FINISH	PACKAGING
SRRZ3CM	STEEL	ROHS ZINC-PLATING	250 pieces
SRRZ4CM	STEEL	ROHS ZINC-PLATING	250 pieces

NOTE: MADE OF GALVANIZED SHEET, UPON REQUEST.

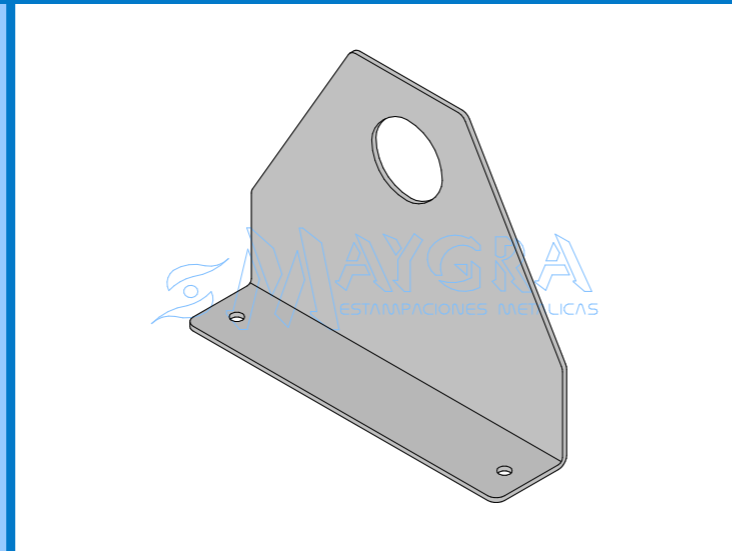
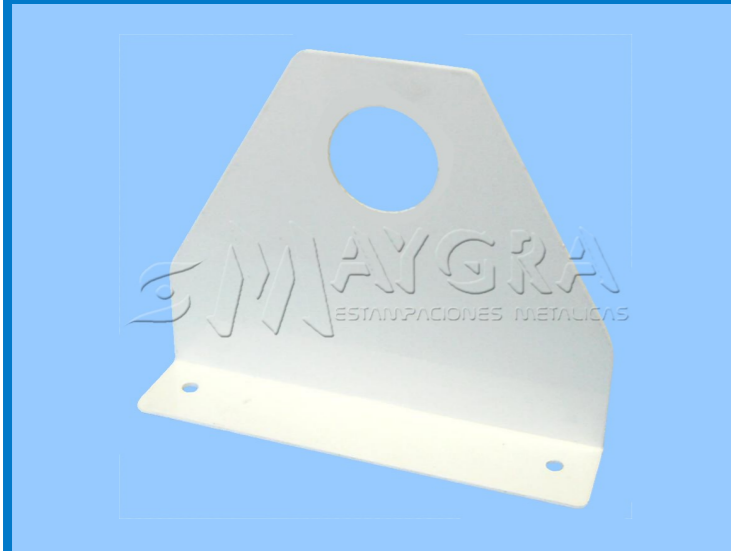
HEATING

SUPPORT FOR "ETAL & CONFORT" RADIATOR



CODE	MATERIAL	FINISH	PACKAGING
SREYC	STEEL	ROHS ZINC-PLATING	250 pieces
SREYCG	GALVANIZED SHEET	—	250 pieces

SUPPORT FOR RADIATOR

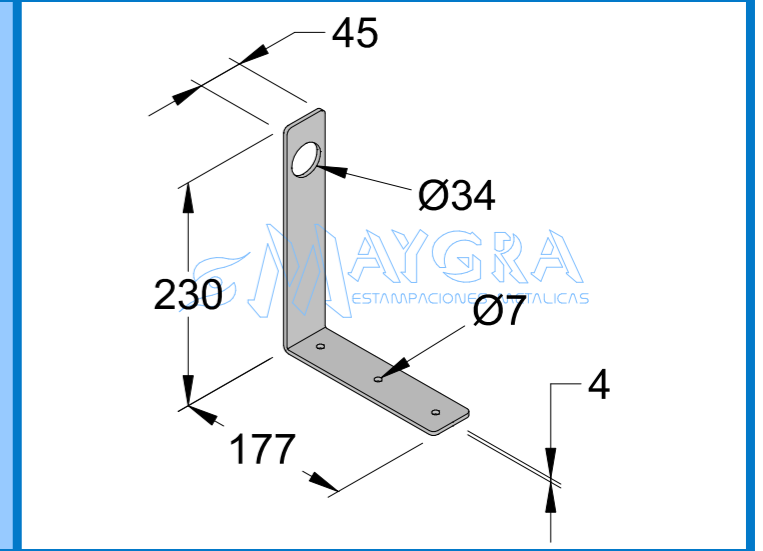
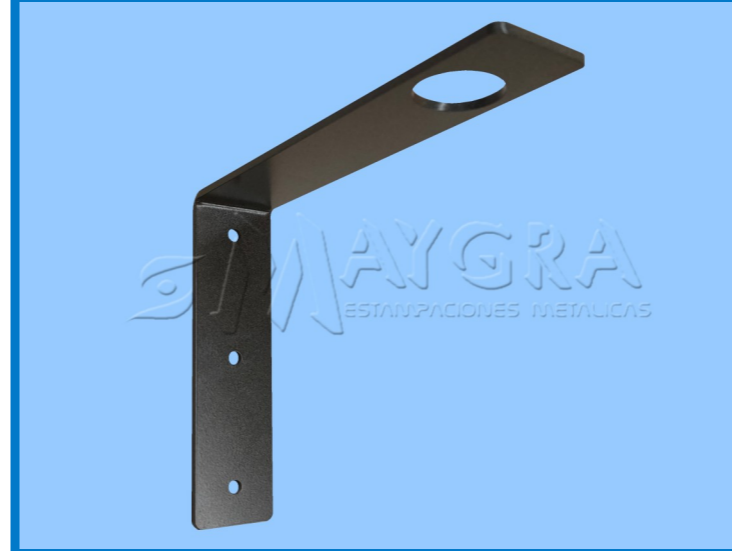


CODE	MATERIAL	FINISH	PACKAGING
SR	STEEL	RAL-9010 WHITE PAINTED	10 pieces

NOTE: UPON REQUEST, WE CAN MAKE ALL DIMENSIONS.

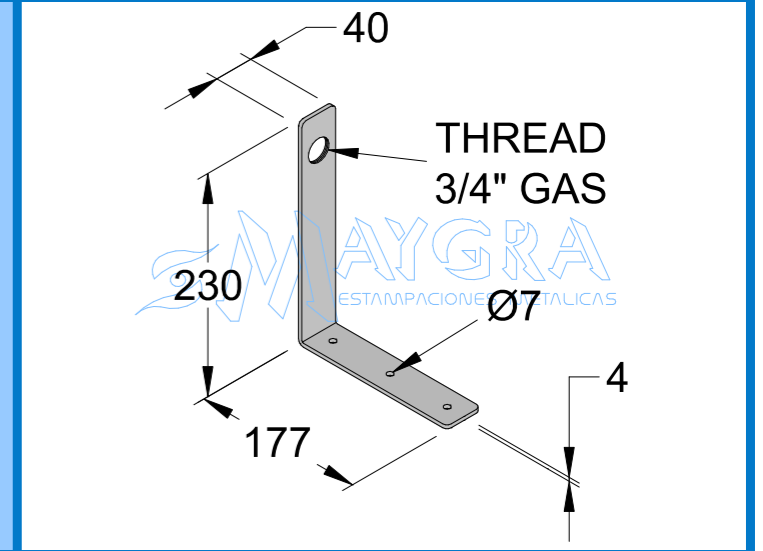
HEATING

SUPPORT FOR EXPANSION TANK 2



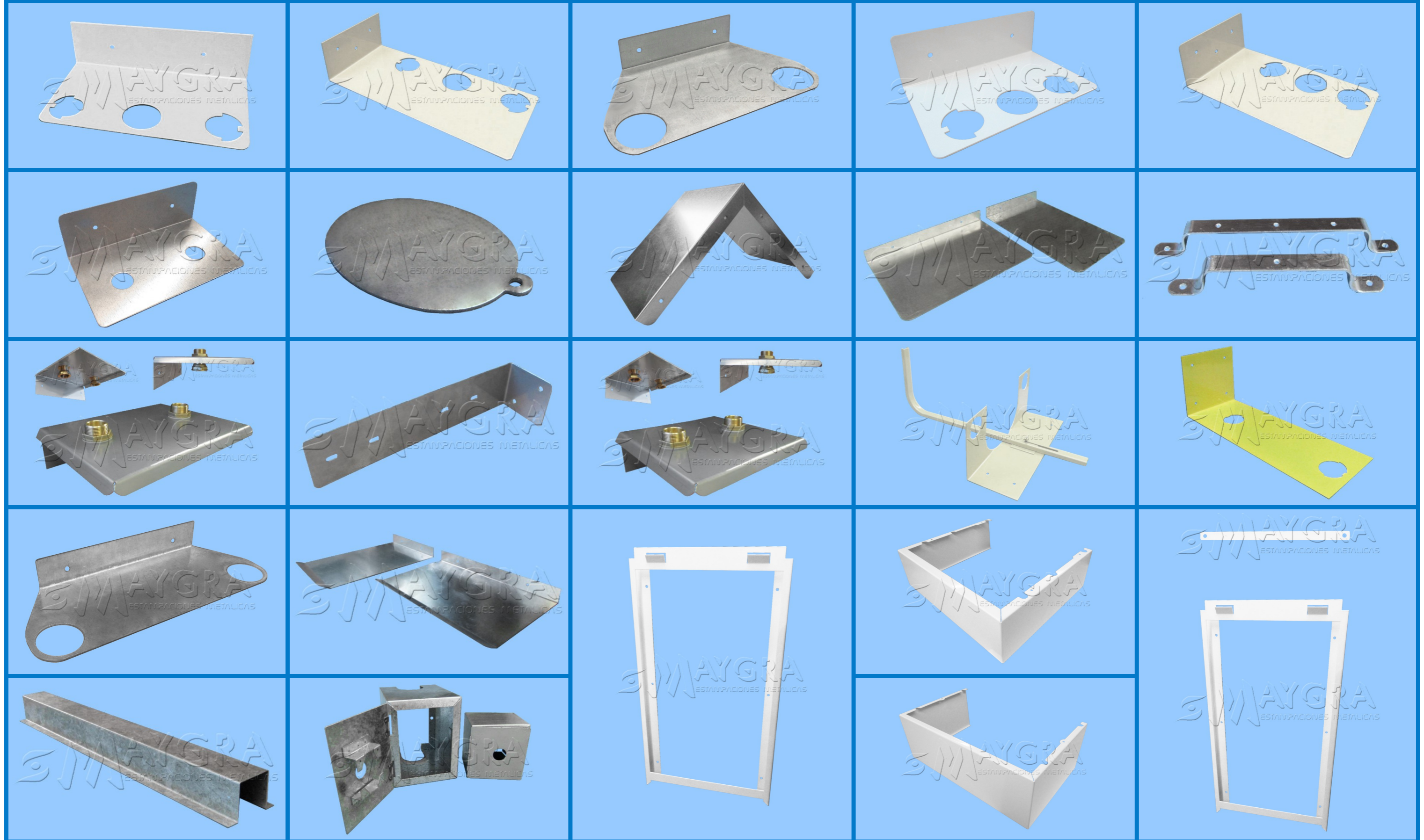
CODE	MATERIAL	FINISH	PACKAGING
SVE2	STEEL	PAINTED	40 pieces

SUPPORT FOR EXPANSION TANK 3



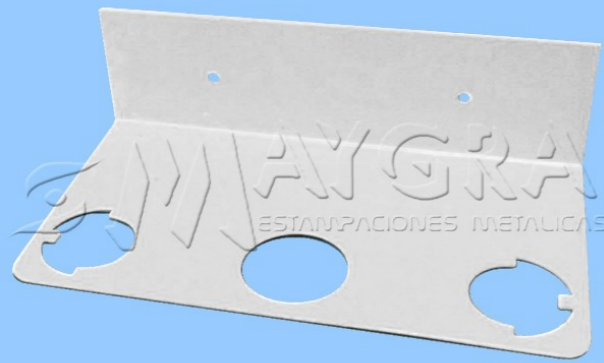
CODE	MATERIAL	FINISH	PACKAGING
SVE3	STEEL	ROHS ZINC-PLATING	40 pieces

GAS

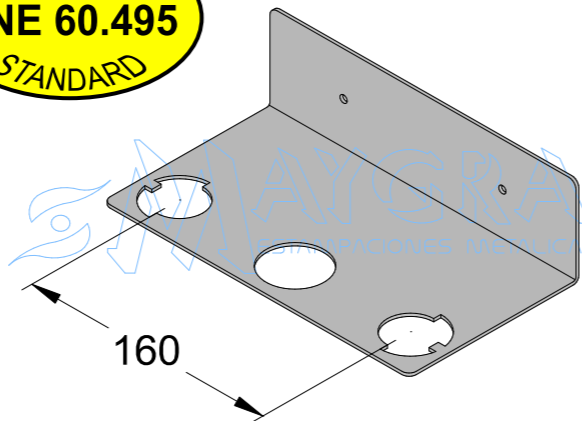


GAS

SUPPORT FOR G-4 GAS METER 160 mm



ACCORDING TO
UNE 60.495
STANDARD

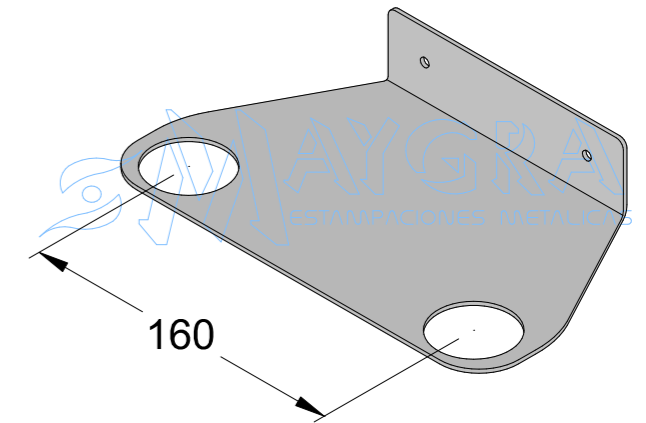
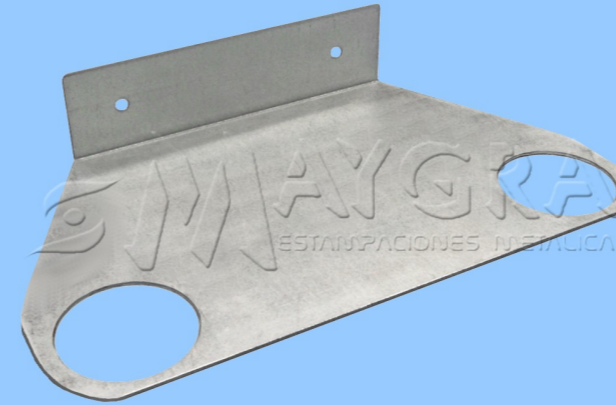


CODE	MATERIAL	FINISH	PACKAGING
------	----------	--------	-----------

SCGG4	STEEL	RAL-9002 GREY PAINTED	50 pieces
-------	-------	--------------------------	-----------

GAS

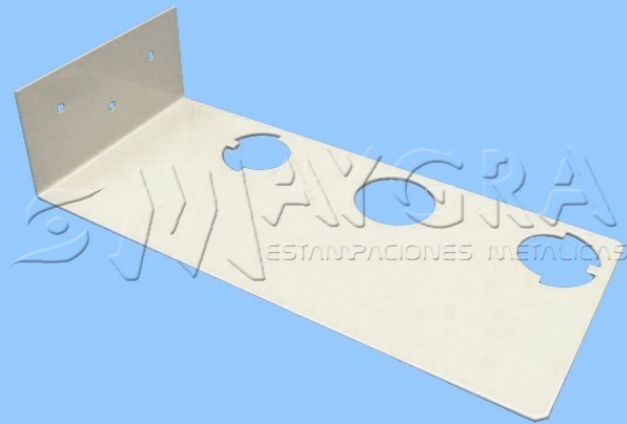
SUPPORT FOR G-4 GAS METER IN A CABINET 160 mm



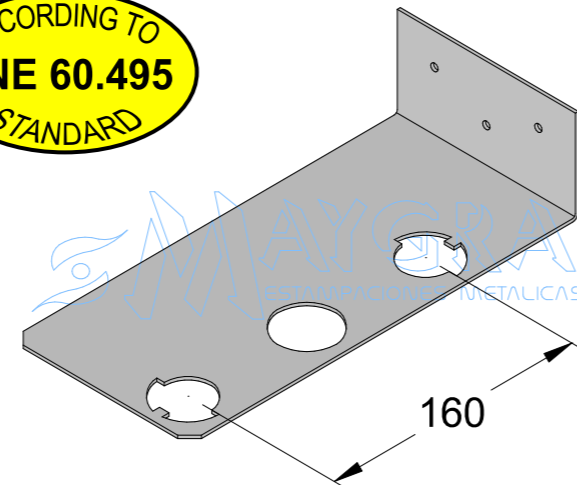
CODE	MATERIAL	FINISH	PACKAGING
------	----------	--------	-----------

SCGG4G	GALVANIZED SHEET	—	50 pieces
--------	------------------	---	-----------

SIDE SUPPORT FOR G-4 GAS METER 160 mm



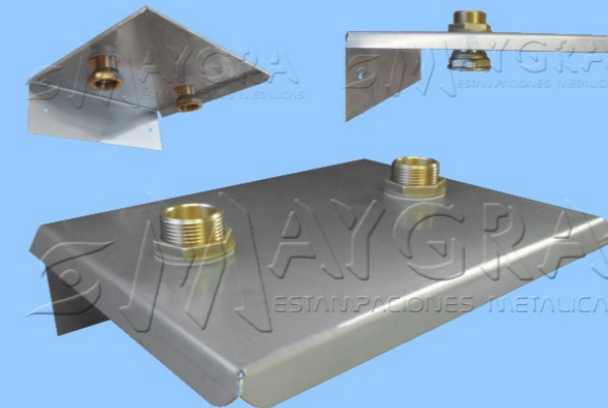
ACCORDING TO
UNE 60.495
STANDARD



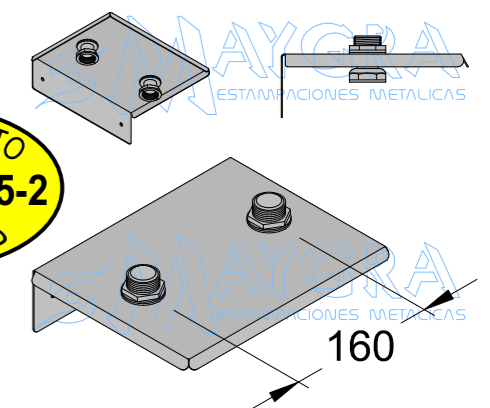
CODE	MATERIAL	FINISH	PACKAGING
------	----------	--------	-----------

SCGG4L	STEEL	RAL-9002 GREY PAINTED	50 pieces
--------	-------	--------------------------	-----------

SUPPORT FOR G-4 GAS METER STAINLESS STEEL 160 mm



ACCORDING TO
UNE 60.495-2
STANDARD

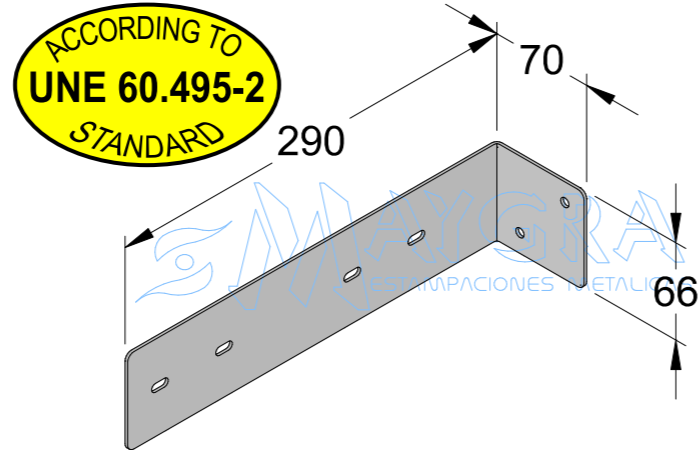
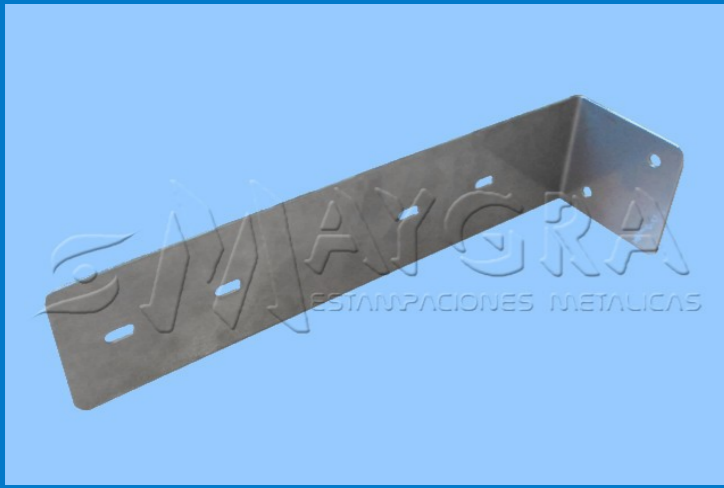


CODE	MATERIAL	FINISH	PACKAGING
------	----------	--------	-----------

SCGG4I	<u>SUPPORTS:</u> STAINLESS STEEL AISI-316 <u>FITTINGS:</u> BRASS	—	10 pieces
--------	--	---	-----------

GAS

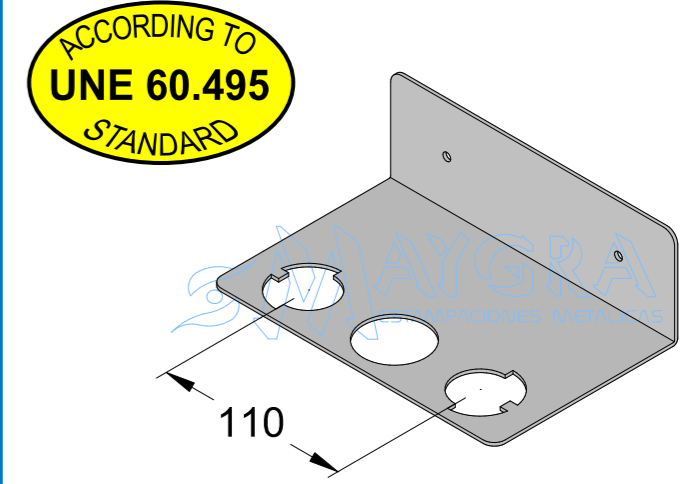
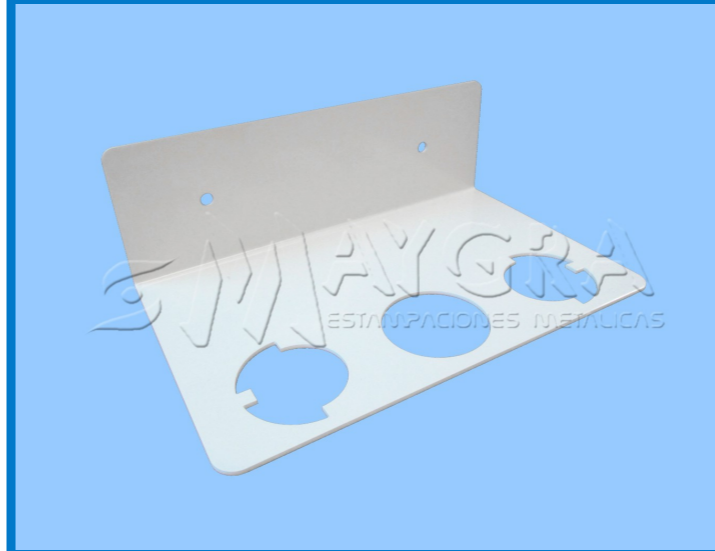
EXTENSION FOR G-4 GAS METER SUPPORTS STAINLESS STEEL



CODE	MATERIAL	FINISH	PACKAGING
ALSCI	STAINLESS STEEL AISI-316	—	50 pieces

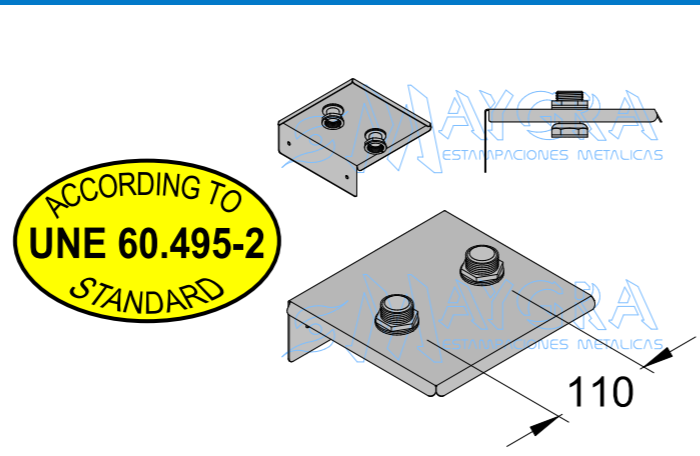
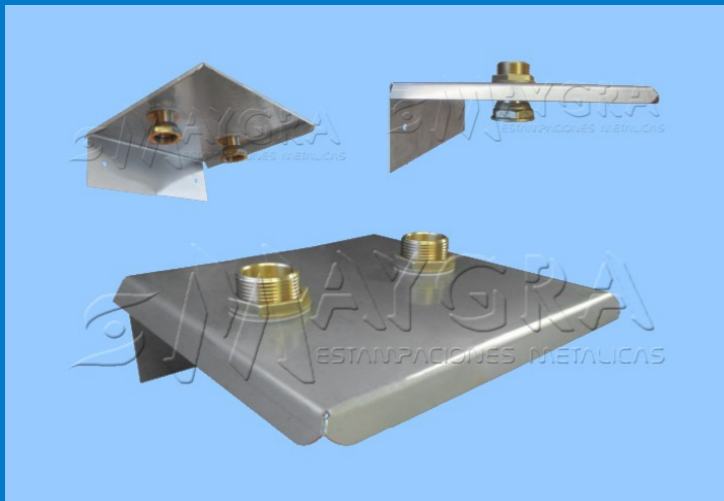
GAS

SUPPORT FOR G-4 GAS METER 110 mm



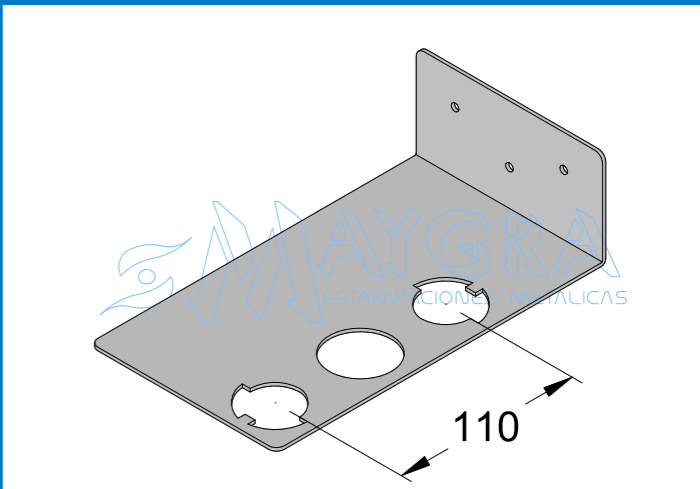
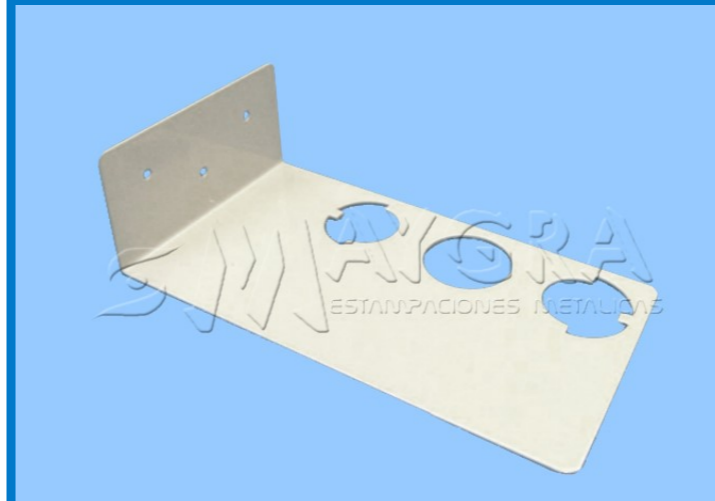
CODE	MATERIAL	FINISH	PACKAGING
SCGG4N	STEEL	RAL-9002 GREY PAINTED	50 pieces

SUPPORT FOR G-4 GAS METER STAINLESS STEEL 110 mm



CODE	MATERIAL	FINISH	PACKAGING
SCGG4IN	<u>SUPPORTS:</u> STAINLESS STEEL AISI-316 <u>FITTINGS:</u> BRASS	—	10 pieces

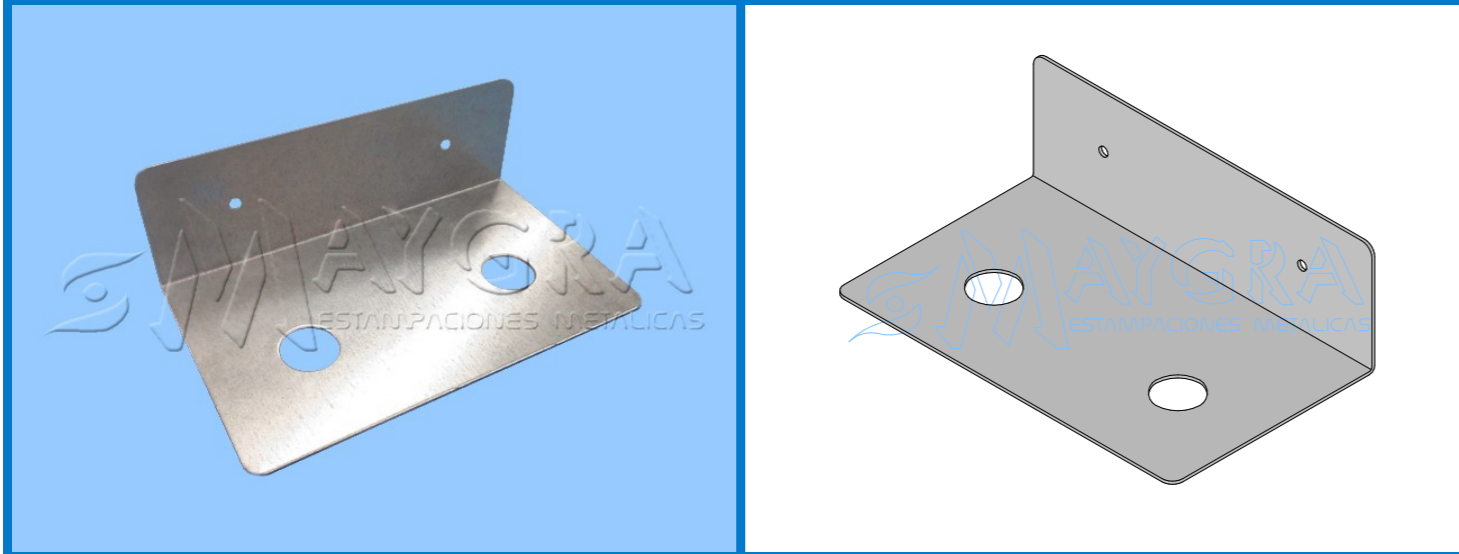
SIDE SUPPORT FOR G-4 GAS METER 110 mm



CODE	MATERIAL	FINISH	PACKAGING
SCGG4LN	STEEL	RAL-9002 GREY PAINTED	50 pieces

GAS

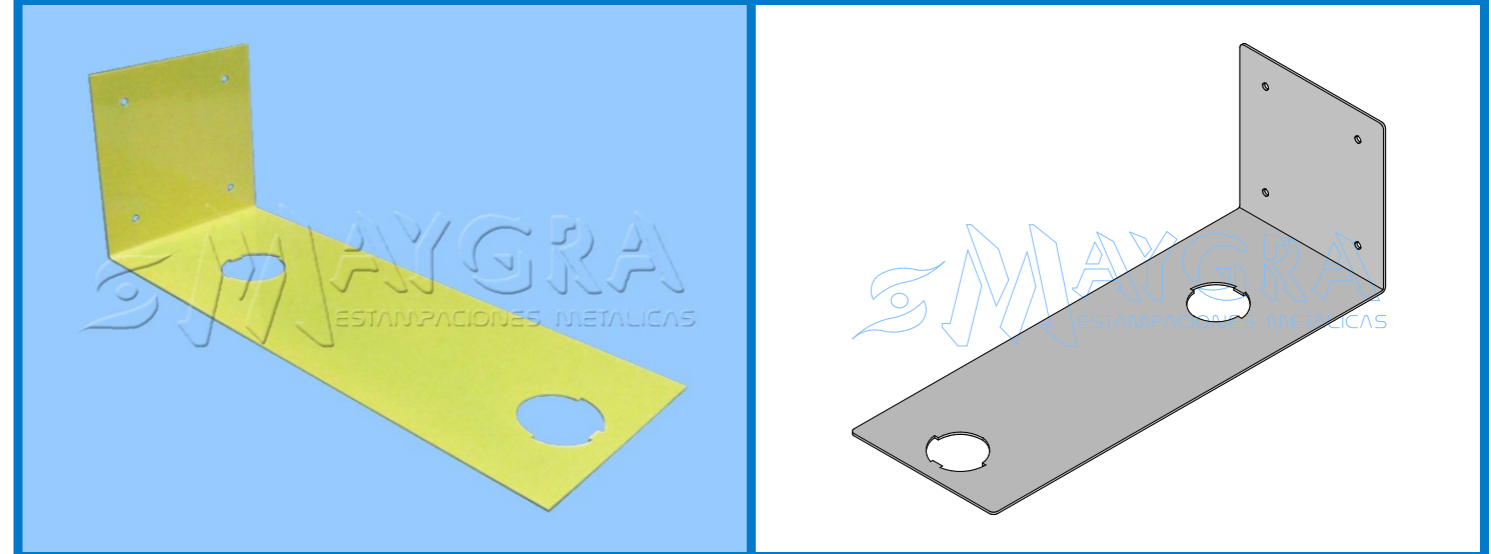
SUPPORT FOR REPSOL G-4 GAS METER



CODE	MATERIAL	FINISH	PACKAGING
SCGG4RG	GALVANIZED SHEET	—	50 pieces

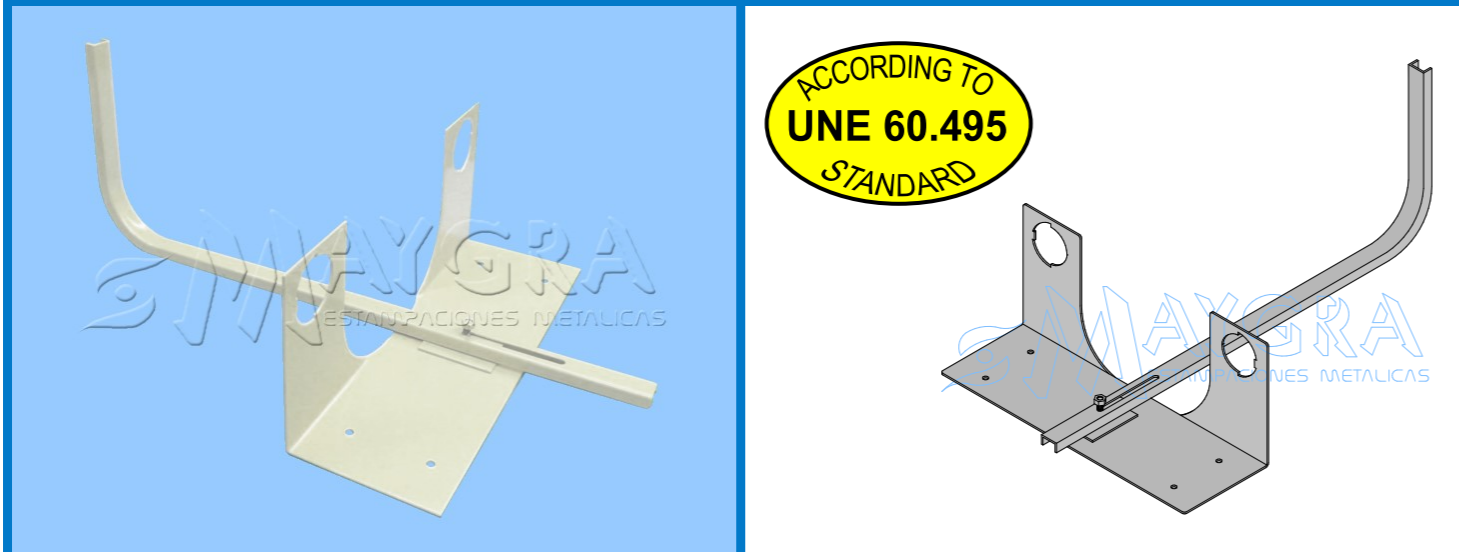
GAS

SIDE SUPPORT FOR G-6 GAS METER



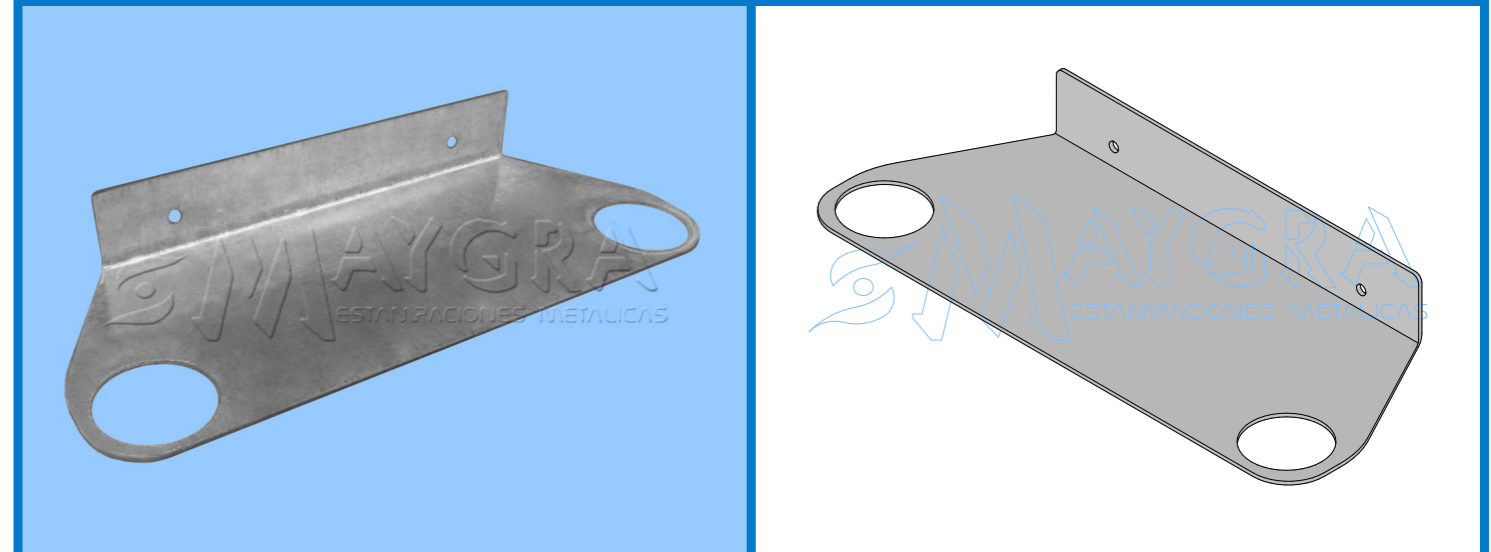
CODE	MATERIAL	FINISH	PACKAGING
SCGG6L	STEEL	RAL-1021 YELLOW PAINTED	25 pieces

SUPPORT FOR G-6 GAS METER



CODE	MATERIAL	FINISH	PACKAGING
SCGG6	STEEL	RAL-9002 GREY PAINTED	25 pieces

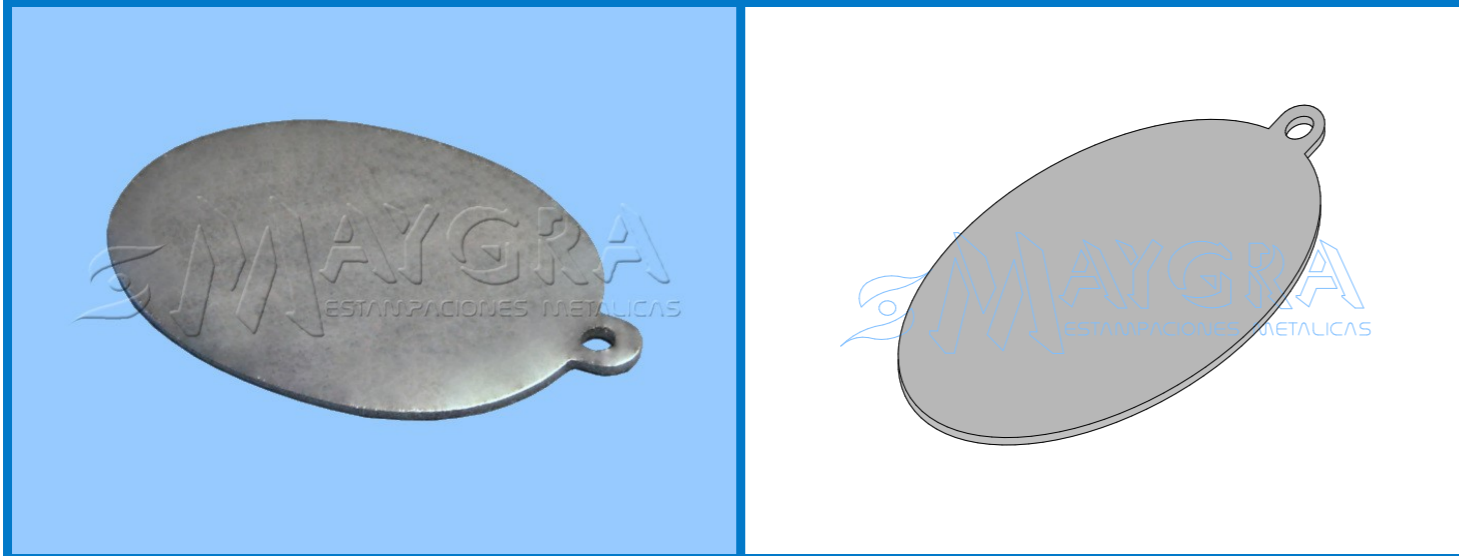
SUPPORT FOR G-6 GAS METER IN A CABINET



CODE	MATERIAL	FINISH	PACKAGING
SCGG6G	GALVANIZED SHEET	—	25 pieces

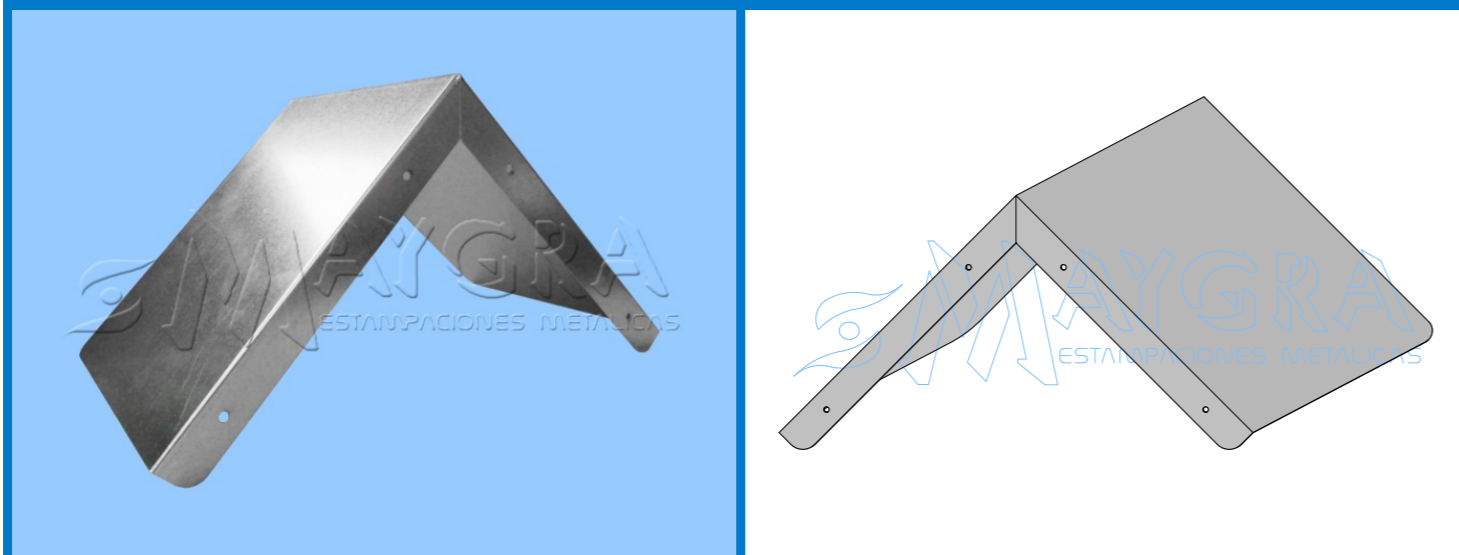
GAS

SIGNAL PLATE FOR GAS METER



CODE	MATERIAL	FINISH	PACKAGING
CSCGC	GALVANIZED SHEET	—	100 pieces

CANOPY FOR G-4 GAS METER & SUPPORT

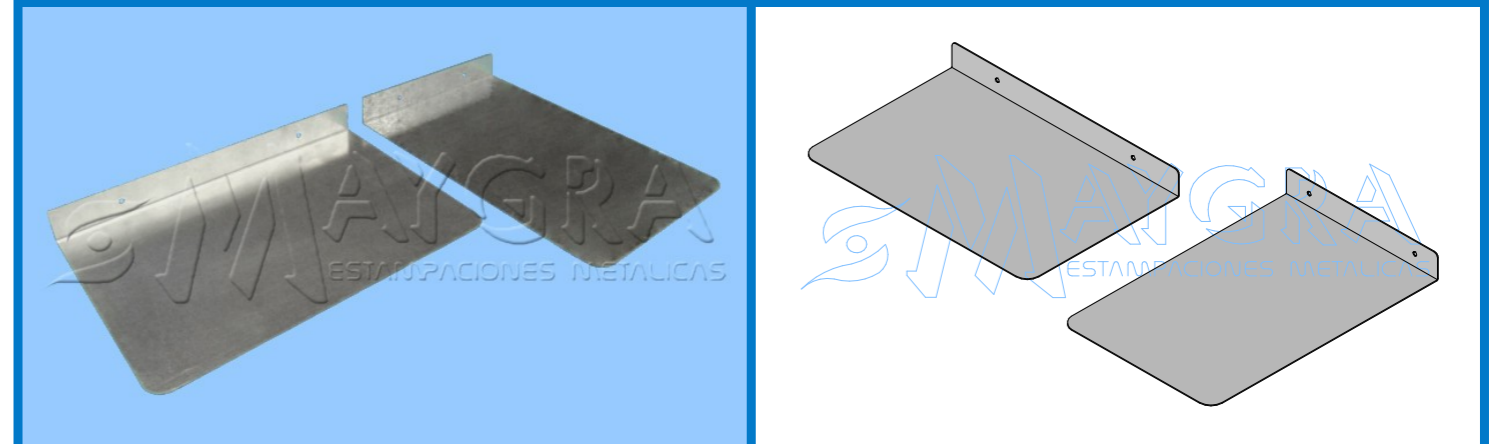


CODE	MATERIAL	DIMENSIONS	PACKAGING
TCG	GALVANIZED SHEET	300x300x250	10 pieces

NOTE: UPON REQUEST, WE CAN MAKE ALL DIMENSIONS.

GAS

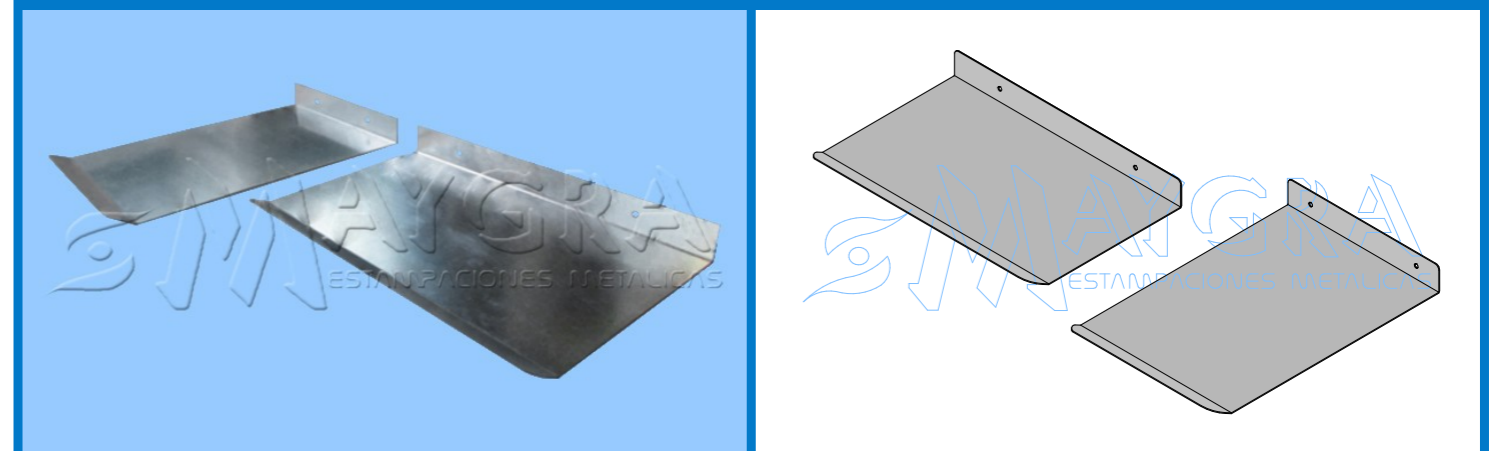
SEPARATOR PLATES FOR GAS METER



CODE	MATERIAL	DIMENSIONS	PACKAGING
PS	GALVANIZED SHEET	400x250	10 pieces
PSL	GALVANIZED SHEET	250x400	10 pieces
PSP	GALVANIZED SHEET	300x200	10 pieces
PSPL	GALVANIZED SHEET	200x300	10 pieces

NOTE: UPON REQUEST, WE CAN MAKE ALL DIMENSIONS.

COVERS FOR GAS METER

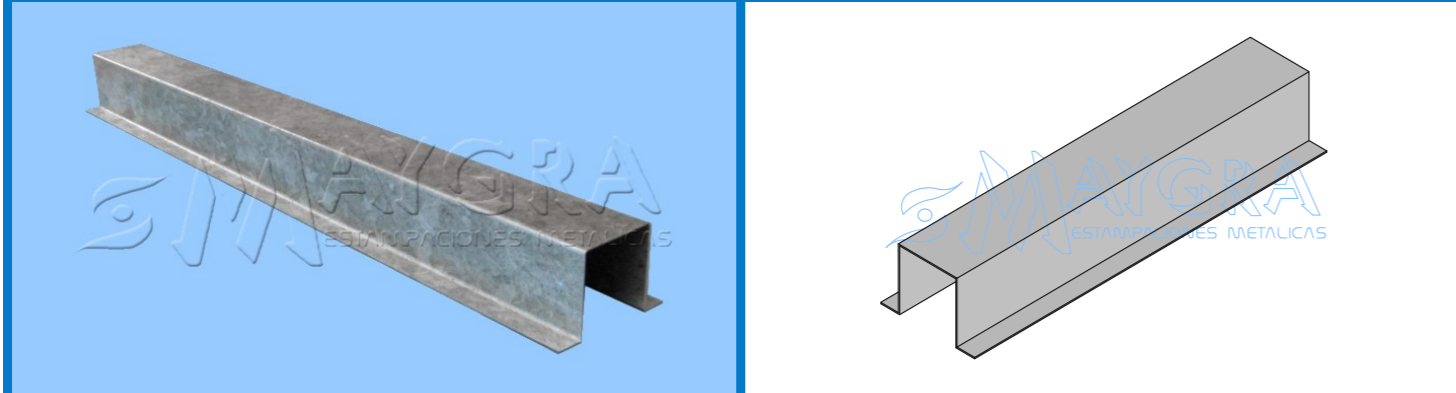


CODE	MATERIAL	DIMENSIONS	PACKAGING
TC	GALVANIZED SHEET	400x250	25 pieces
TCL	GALVANIZED SHEET	250x400	25 pieces
TCP	GALVANIZED SHEET	300x200	25 pieces
TCPL	GALVANIZED SHEET	200x300	25 pieces

NOTE: UPON REQUEST, WE CAN MAKE ALL DIMENSIONS.

GAS

OMEGAS TO PROTECT PIPES (0,8 mm thickness)



CODE	MATERIAL	DIMENSIONS	PACKAGING
O25.25	GALVANIZED SHEET	25x25x25	10 pieces
O30.30	GALVANIZED SHEET	30x30x30	10 pieces
O30.35	GALVANIZED SHEET	30x35x30	10 pieces
O30.45	GALVANIZED SHEET	30x45x30	10 pieces
O35.35	GALVANIZED SHEET	35x35x35	10 pieces
O35.50	GALVANIZED SHEET	35x50x35	10 pieces
O35.55	GALVANIZED SHEET	35x55x35	10 pieces
O40.40	GALVANIZED SHEET	40x40x40	10 pieces
O40.55	GALVANIZED SHEET	40x55x40	10 pieces
O40.60	GALVANIZED SHEET	40x60x40	10 pieces
O45.45	GALVANIZED SHEET	45x45x45	10 pieces
O50.50	GALVANIZED SHEET	50x50x50	10 pieces
O50.60	GALVANIZED SHEET	50x60x50	10 pieces
O50.65	GALVANIZED SHEET	50x65x50	10 pieces
O60.60	GALVANIZED SHEET	60x60x60	8 pieces
O80.80	GALVANIZED SHEET	80x80x80	8 pieces
O100.100	GALVANIZED SHEET	100x100x100	5 pieces

SPECIFICATIONS:

MOUNTING FEET ARE 15 mm WIDE ON EACH SIDE.

NOTE:

UPON REQUEST, WE CAN MAKE ALL DIMENSIONS, OTHER THICKNESS AND OTHER MATERIALS LIKE ALUMINIUM, STEEL, STAINLESS STEEL.

GAS

OMEGAS TO PROTECT PIPES (1,5 mm thickness)



CODE	MATERIAL	DIMENSIONS	PACKAGING
O25.25	GALVANIZED SHEET	25x25x25	10 pieces
O30.30	GALVANIZED SHEET	30x30x30	10 pieces
O30.35	GALVANIZED SHEET	30x35x30	10 pieces
O30.45	GALVANIZED SHEET	30x45x30	10 pieces
O35.35	GALVANIZED SHEET	35x35x35	10 pieces
O35.50	GALVANIZED SHEET	35x50x35	10 pieces
O35.55	GALVANIZED SHEET	35x55x35	10 pieces
O40.40	GALVANIZED SHEET	40x40x40	10 pieces
O40.55	GALVANIZED SHEET	40x55x40	10 pieces
O40.60	GALVANIZED SHEET	40x60x40	10 pieces
O45.45	GALVANIZED SHEET	45x45x45	10 pieces
O50.50	GALVANIZED SHEET	50x50x50	10 pieces
O50.60	GALVANIZED SHEET	50x60x50	10 pieces
O50.65	GALVANIZED SHEET	50x65x50	10 pieces
O60.60	GALVANIZED SHEET	60x60x60	8 pieces
O80.80	GALVANIZED SHEET	80x80x80	8 pieces
O100.100	GALVANIZED SHEET	100x100x100	5 pieces

SPECIFICATIONS:

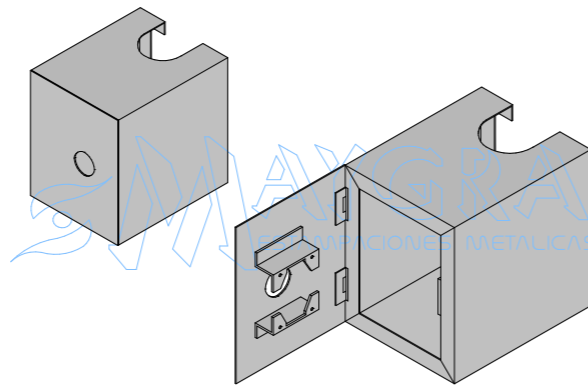
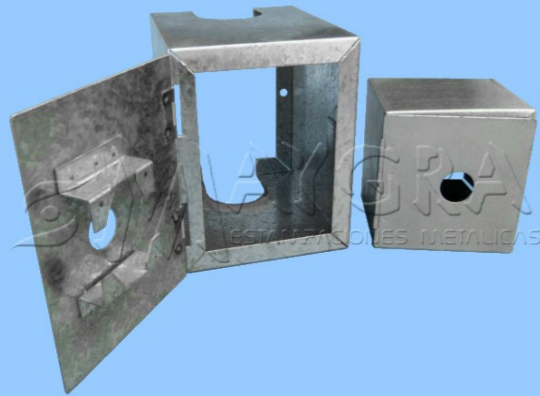
MOUNTING FEET ARE 15 mm WIDE ON EACH SIDE.

NOTE:

UPON REQUEST, WE CAN MAKE ALL DIMENSIONS, OTHER THICKNESS AND OTHER MATERIALS LIKE ALUMINIUM, STEEL, STAINLESS STEEL.

GAS

GAS CABINETS



CODE	MATERIAL	DIMENSIONS	PACKAGING
A10.10	GALVANIZED SHEET	100x100x85	4 pieces
A12.15	GALVANIZED SHEET	120x150x140	4 pieces
A30.30	GALVANIZED SHEET	300x300x170	2 pieces

NOTE 1:

PREPARED TO ASSEMBLY WITH JIS LOCK. WITH HOLE FOR PIPES ON THE SHEET. EASY INSTALLATION.

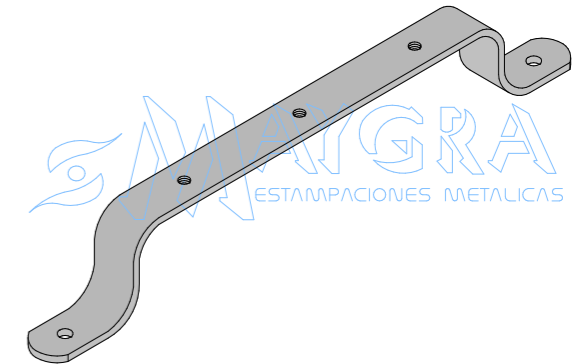
NOTE 2:

UPON REQUEST, WE CAN MAKE ALL DIMENSIONS, OTHER MATERIALS LIKE STEEL, STAINLESS STEEL.

UPON REQUEST WE ALSO PRODUCE ALL TYPES OF FRAMES WITH DOOR.

GAS

BASES FOR PIPES



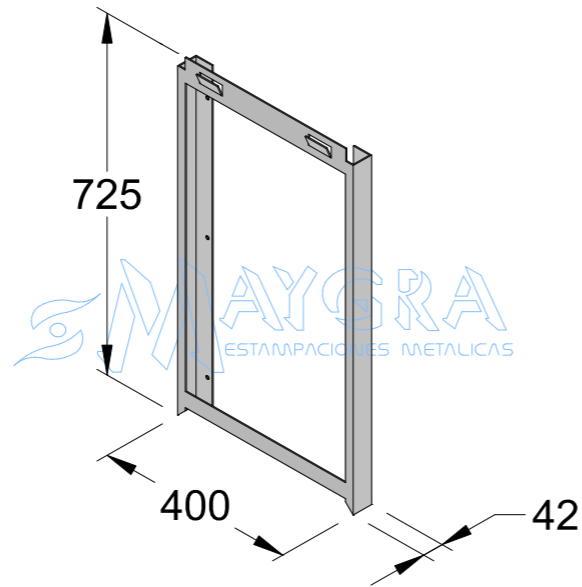
CODE	MATERIAL	FINISH	PACKAGING
BT1	GALVANIZED SHEET	—	100 pieces
BT2	GALVANIZED SHEET	—	100 pieces
BT3	GALVANIZED SHEET	—	100 pieces
BT4	GALVANIZED SHEET	—	100 pieces
BT5	GALVANIZED SHEET	—	100 pieces
BT6	GALVANIZED SHEET	—	100 pieces
BT7	GALVANIZED SHEET	—	50 pieces
BT8	GALVANIZED SHEET	—	50 pieces
BT9	GALVANIZED SHEET	—	50 pieces
BT10	GALVANIZED SHEET	—	50 pieces
BT11	GALVANIZED SHEET	—	25 pieces
BT12	GALVANIZED SHEET	—	25 pieces

NOTE:

UPON REQUEST, WE CAN MAKE ALL DIMENSIONS, OTHER THICKNESS AND OTHER MATERIALS LIKE ALUMINIUM, STEEL, STAINLESS STEEL.

GAS

SUPPORT FOR "VISSMANN" BOILER

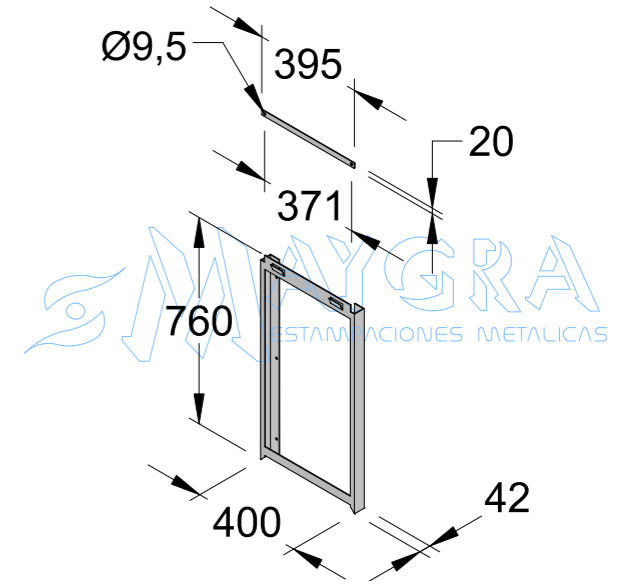
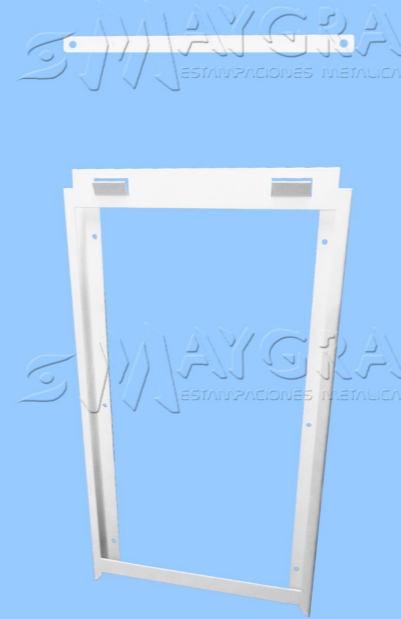


CODE	MATERIAL	FINISH	PACKAGING
SCV	STEEL	RAL-9016 WHITE PAINTED	1 piece

NOTE: UPON REQUEST, WE CAN MAKE ALL DIMENSIONS.

GAS

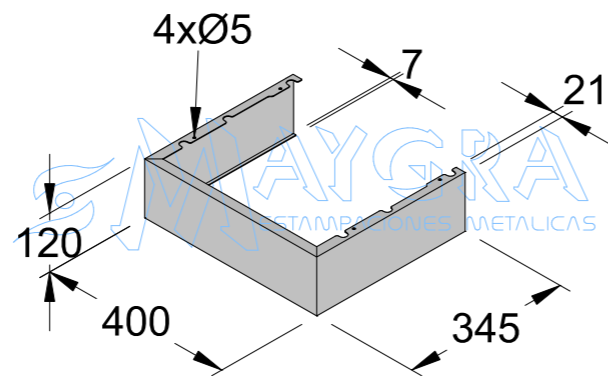
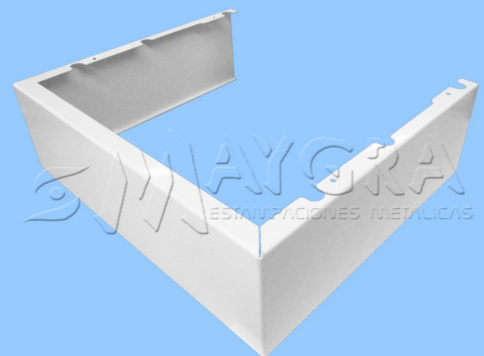
SUPPORT FOR "FONDITAL" BOILER



CODE	MATERIAL	FINISH	PACKAGING
SCF	STEEL	RAL-9016 WHITE PAINTED	1 piece

NOTE: UPON REQUEST, WE CAN MAKE ALL DIMENSIONS.

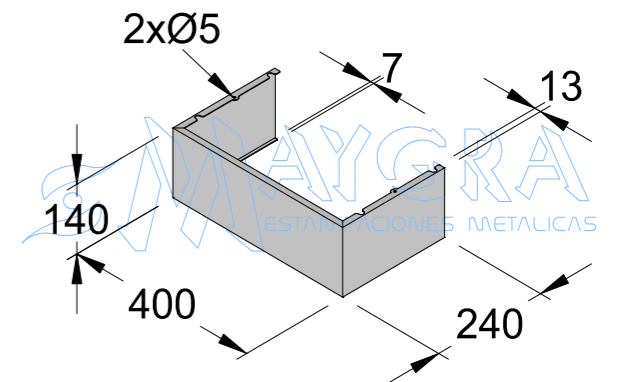
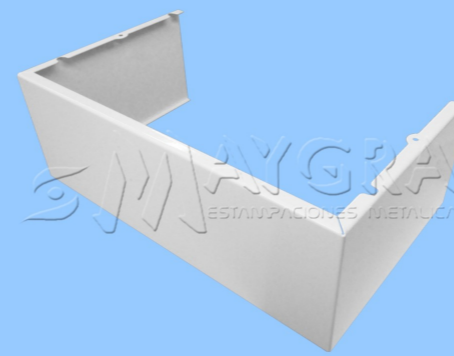
BASE FOR "VISSMANN" (COVERING FOR "VISSMANN" TAPS)



CODE	MATERIAL	FINISH	PACKAGING
BCV	STEEL	RAL-9016 WHITE PAINTED	1 piece

NOTE: UPON REQUEST, WE CAN MAKE ALL DIMENSIONS.

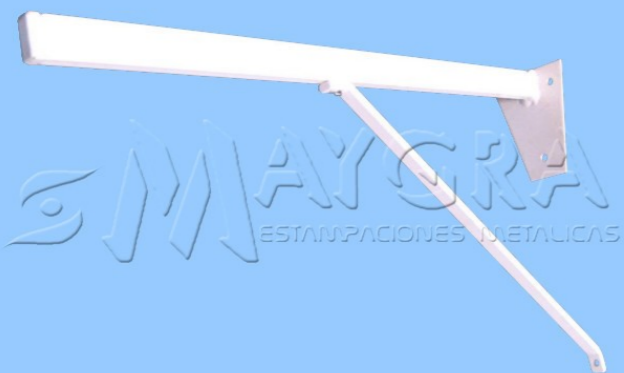
BASE CHANDIERE "FONDITAL" (COVERING FOR "FONDITAL" BOILER TAPS)



CODE	MATERIAL	FINISH	PACKAGING
BCF	STEEL	RAL-9016 WHITE PAINTED	1 piece

NOTE: UPON REQUEST, WE CAN MAKE ALL DIMENSIONS.

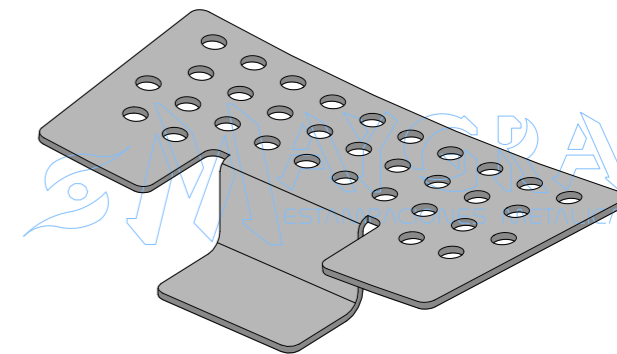
SANITATION



PATENTED

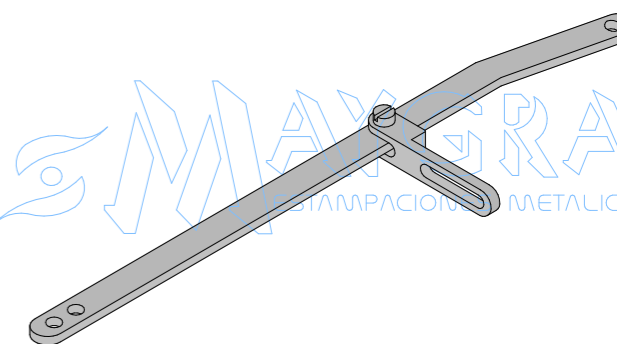
SANITATION

GRATING FOR URINAL



CODE	MATERIAL	FINISH	PACKAGING
RUA	ALUMINIUM	—	100 pieces
RUG	GALVANIZED SHEET	—	100 pieces
RUI	STAINLESS STEEL	—	100 pieces

LEVERS FOR TOILET TANK: 3 AND 4 MILLIMETERS



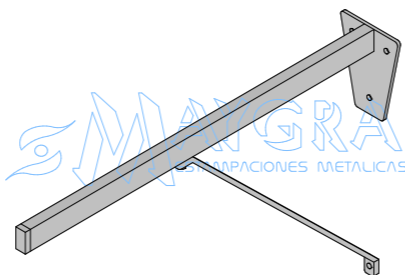
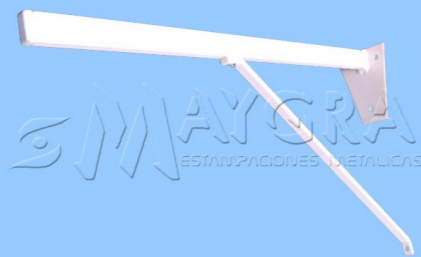
CODE	MATERIAL	FINISH	PACKAGING
PC3S	STEEL	ROHS ZINC-PLATING	100 pieces
PC3SL	STEEL AND BRASS	ROHS ZINC-PLATING	100 pieces
PC4S	STEEL	ROHS ZINC-PLATING	100 pieces
PC4SL	STEEL AND BRASS	ROHS ZINC-PLATING	100 pieces

SPECIFICATIONS: S = ALONE / SL = WITH SUPPORT MADE OF BRASS

NOTE: OTHER THICKNESS UPON REQUEST.

SANITATION

SUPPORTS FOR SINK



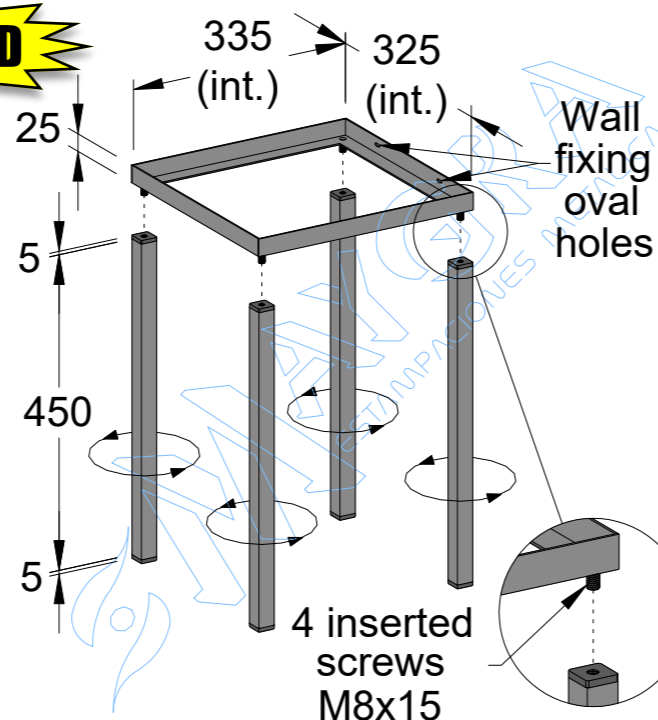
CODE	MATERIAL	FINISH	PACKAGING
SPF37	STEEL	RAL-9010 WHITE PAINTED	6 pieces
SPF47	STEEL	RAL-9010 WHITE PAINTED	6 pieces

NOTE: WITH ZINC-PLATING FINISH UPON REQUEST.

SUPPORTS FOR "HENARES" WASH BASIN



PATENTED

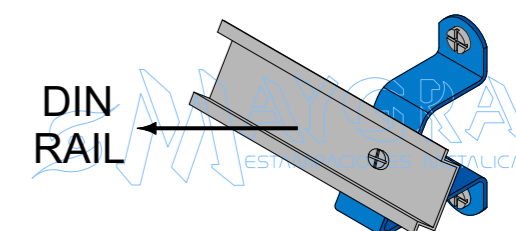
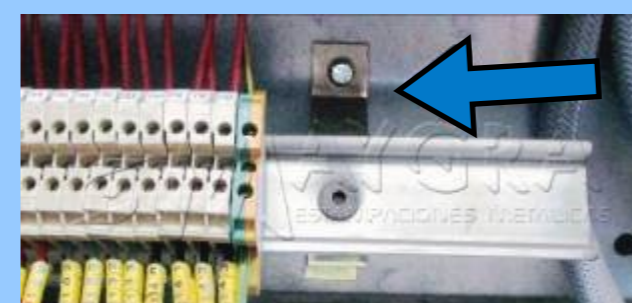
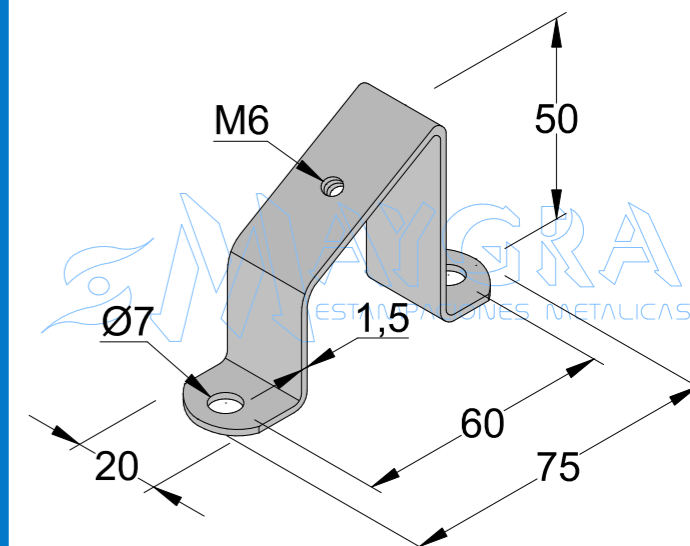


CODE	MATERIAL	FINISH	PACKAGING
SLHD	STEEL	WHITE PAINTED	6 pieces
SLHDZ	STEEL	ROHS ZINC-PLATING	6 pieces

NOTE: UPON REQUEST, WE CAN MAKE ALL DIMENSIONS.

ELECTRIC CABINET

METALLIC ELEVATOR BRIDGE SUPPORT Bridge support for electrical cabinet fixing



CODE	MATERIAL	FINISH	PACKAGING
PEM	STEEL	ROHS ZINC-PLATING	200 pieces

PLEASE READ THOROUGHLY OUR TERMS OF SALE

1 - GENERAL TERMS

The client declares to know and accept the conditions of sale herein.
All sales and deliveries of goods will be carried out in accordance with the following conditions.

2 - PRICES

Reference prices may be modified at any time without previous notice.
Prices to be applied will be those prevailing on the date of the order and its confirmation.

3 - ORDERS

Orders shall be sent by email or fax.
Orders under 100,00 € will be charged a supplement of 10,00 €.
All sent goods remain the property of MAYGRA, until full payment of the purchase price.

4 - TERMS OF PAYMENT

All our commercial operations are insured by a credit insurer. If the credit is not approved, sales shall be prepaid before sending.
In agreement with the Spanish Law 15/2010 dated July 5, terms of payment shall be:

- Cash payment with a 3% discount
within 60 days after invoice date
- within 45 days after invoice date with two fixed days for payment
- within 30 days after invoice date with one fixed day for payment

Delay caused by holidays won't be accepted.
Should the payments be received after the due date, we reserve the right to charge interest for the financing of the costs and returning shipping costs when appropriate, as closing the credit account until the full payment of the debt.

5 - DELIVERY

Should there be any anomaly, visible damage, damaged packaging or suspecting hidden damage, this shall be stated in writing on the delivery note on receiving the goods, and shall be notified to MAYGRA by email or fax within 24 hours after delivery. The delivery note with the written reservations shall also be included.
Claims will not be accepted if the previous requirement is not met.

6 - GOOD RETURNS

We will accept good returns only within 15 days of the delivery.
Afterwards, MAYGRA will not accept any type of return.
Returns will not be accepted if they have not been previously and explicitly confirmed and authorized by our company.
The return will be sent in its original packaging and carriage-paid.
We will not accept any charge for handling the goods.

7 - JURISDICTION

Acceptance of delivery involves acceptance of our "terms of sale". In the event of litigation, the buyer will submit to the court of Huesca and will waive whichever other court may apply to him, in agreement with article 55 of the Spanish Civil Procedure Act.



COMPANY FOUNDED IN 1967

MATRICES Y GRABADOS, S.L.

Polígono Industrial Sepes - C/ Ganadería, parcela 35

Tel. +34 974 591 579

Mob. +34 636 268 349

Fax +34 974 225 626

22006 HUESCA (SPAIN)

www.maygra.com

comercial@maygra.com